

PRODUCT INFORMATION



Firgelli Automations, 3888 Sound Way, Bellingham, WA 98227 USA

Tel, 604-542-8945

Fax 1 866 226-1649

Email sales@firgelliauto.com

www.FirgelliAuto.com

- Low noise design
- Enhanced corrosion resistance
- Aluminum outer and inner tube
- Zinc alloy housing
- Powder metal gears
- Lubrication for longer life
- Mini compact Design
- Low Price

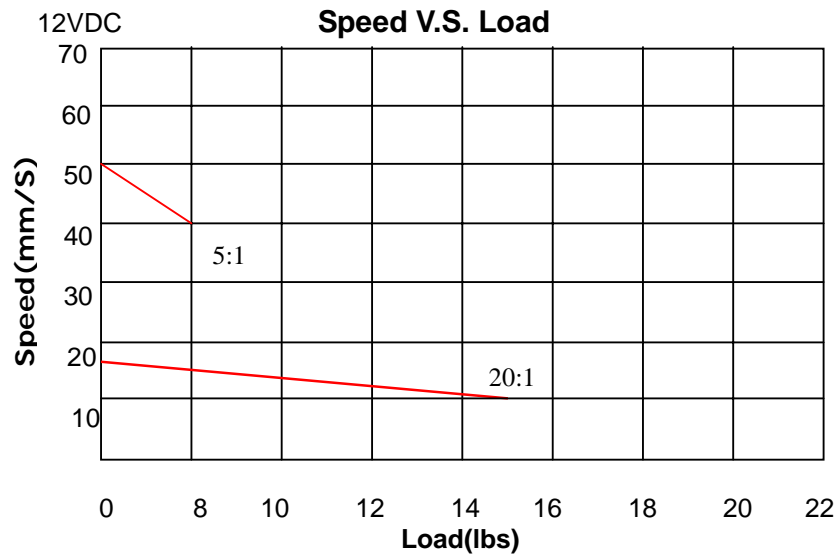


Specifications

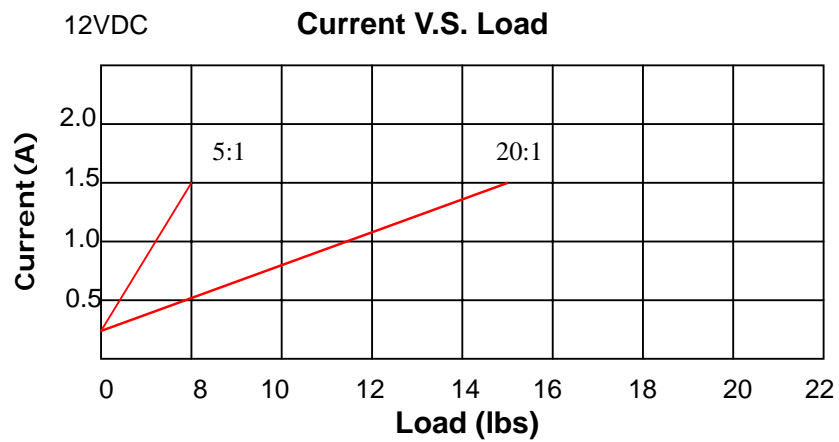
Model	FA-MS-8-12-xx" (High Speed)	FA-MS-15-12-xx" (Standard Force)
Input Voltage	12 VDC	
Load Capacity	8 lbs	15lbs
Static Load	2 x max load capacity	
Stroke Length	2" to 12"	
Speed at No Load	1.5"/sec	3/4"/sec
Size	1" x 1.25" Square	
Clevis Ends	0.22" diameter	
Screw	ACME screw	
Gear Ratio	5:1	20:1
Duty Cycle	20%	
Operation Temperature Range	-26°C~65°C (-15°F~150°F)	
Limit Switch	Built-in (Factory Preset) Not movable	
IP Grade	IP54 (dust and splash proof)	

PRODUCT INFORMATION

LOAD/SPEED

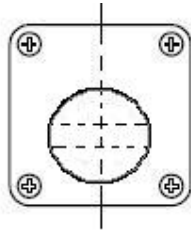


LOAD/CURRENT

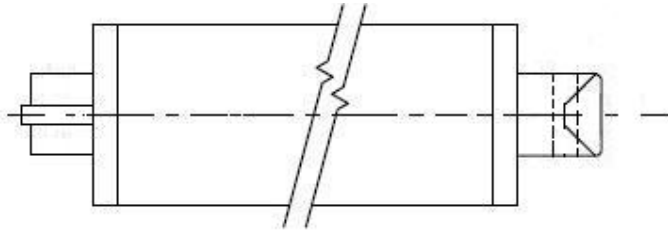


PRODUCT INFORMATION

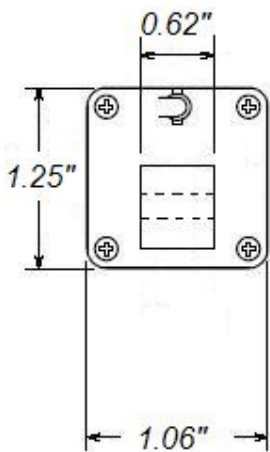
Dimensions:



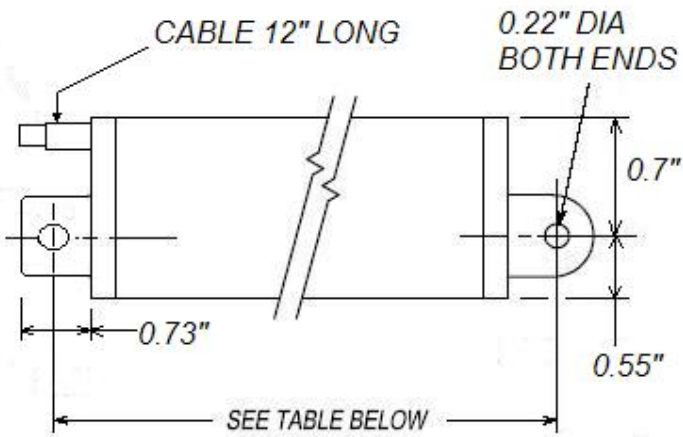
1 BACK



2 TOP



3 FRONT



4 SIDE

Stroke	Closed Length	Open Length
2"	7.9"	9.9"
4"	9.9"	13.9"
6"	11.9"	17.9"
8"	13.9"	21.9"
12"	17.9"	29.9"

- This model actuator uses Fircelli Automations MB4 Brackets on both ends of the actuator.

Please visit our website for latest prices and to purchase
www.FircelliAuto.com
