

PRODUCT INFORMATION



Firgelli Automations, 3888 Sound Way, Bellingham, WA 98227 USA

Tel, 604-542-8945

Fax 1 866 226-1649

Email sales@firgelliauto.com

www.FirgelliAuto.com

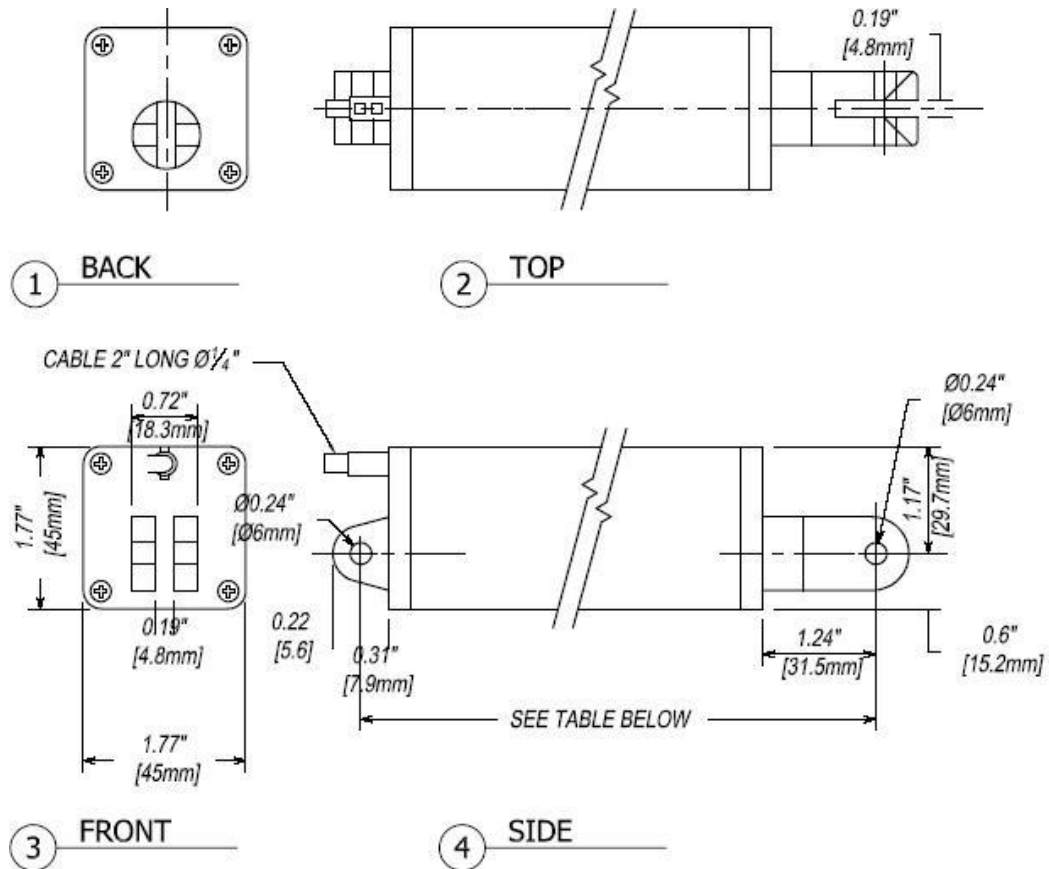
- Slender design
- Enhanced corrosion resistance
- Aluminum outer and inner tube
- Zinc alloy housing
- Powder metal gears
- Lubrication for longer life
- Small compact Design
- Low Price



Specifications

Model	FA-05-12-X" Standard Speed	FA-04-12-X" Faster Speed
Input Voltage	12 VDC	
Load Capacity	666N (150 lbs)	176N (40 lbs)
Static Load	Same as dynamic load	
Stroke Length	1" to 30" (25mm to 500mm)	
Speed at No Load	0.7"/sec (18mm/sec)	1.7"/sec (43MM/S)
Speed at Full Load	0.4"/sec (10mm/s)	1.0"/sec (25mm/sec)
Clevis Ends	¼"dia (6.0mm diameter)	
Screw	ACME screw	
Limit switches	Built-in (Factory Preset) Not movable	
Duty Cycle	25%	
Operation Temperature Range	-10°C~65°C	
IP Grade	IP54 (dust and splash proof)	
Current Draw	3 Amp and full load	

PRODUCT INFORMATION



STROKE LENGTH	COLLAPSED LENGTH	EXTENDED LENGTH
3"	11.5"	14.5"
6"	14.5"	20.5"
9"	17.5"	26.5"
12"	20.5"	32.5"
18"	26.5"	44.5"
24"	32.5"	56.5"
30"	38.5"	68.5"

The Tubular Actuators use the MB2 Mounting Brackets, they can be viewed here http://www.firgelliauto.com/product_info.php?cPath=86&products_id=45

To purchase, visit our website and order online www.FirgelliAuto.com