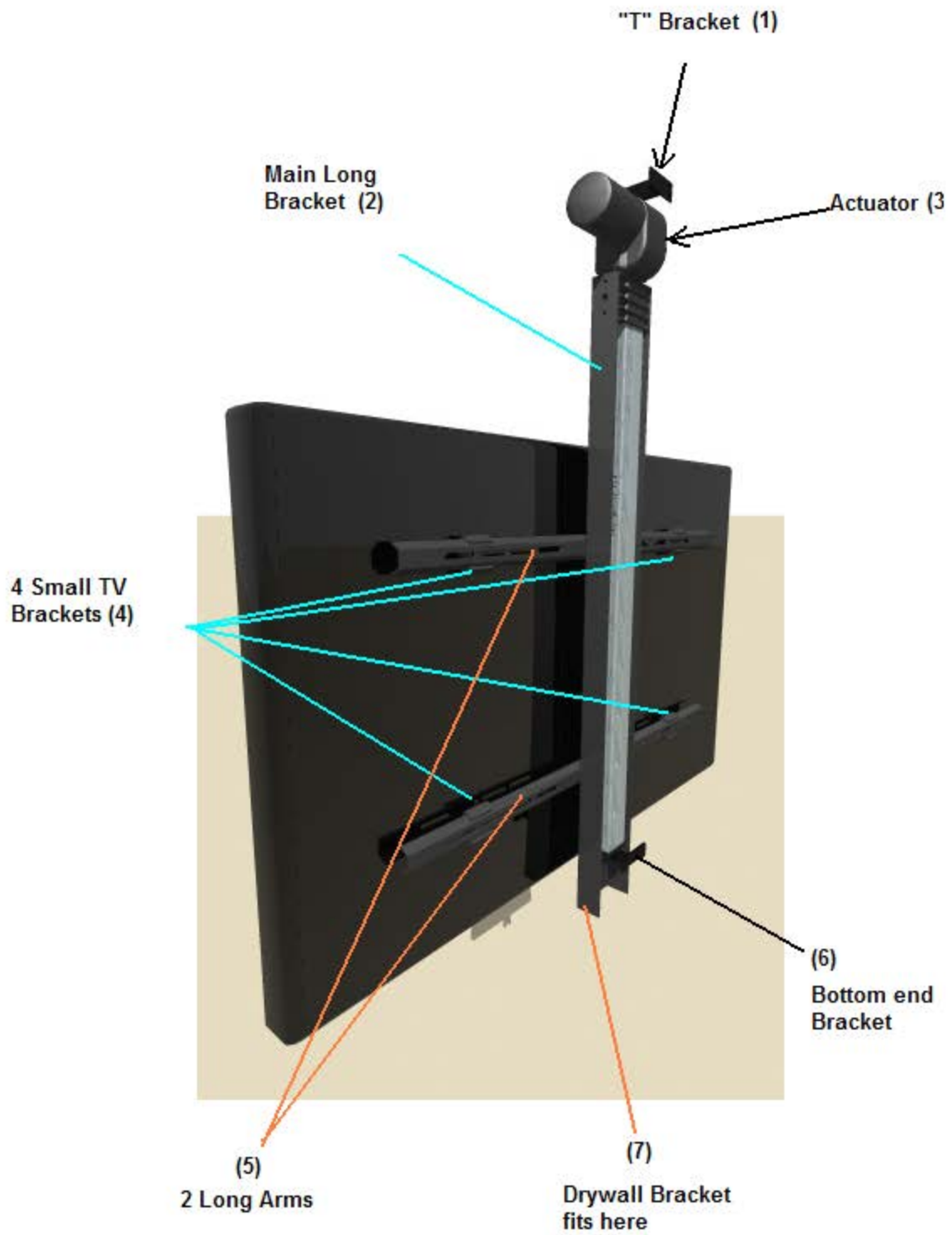


# ***Firgelli Automations Inc***

TV Lift mechanism FA-UTVL-200-XX"

[www.FirgelliAuto.com](http://www.FirgelliAuto.com)





This drawing with descriptions and numbers will help for assembly

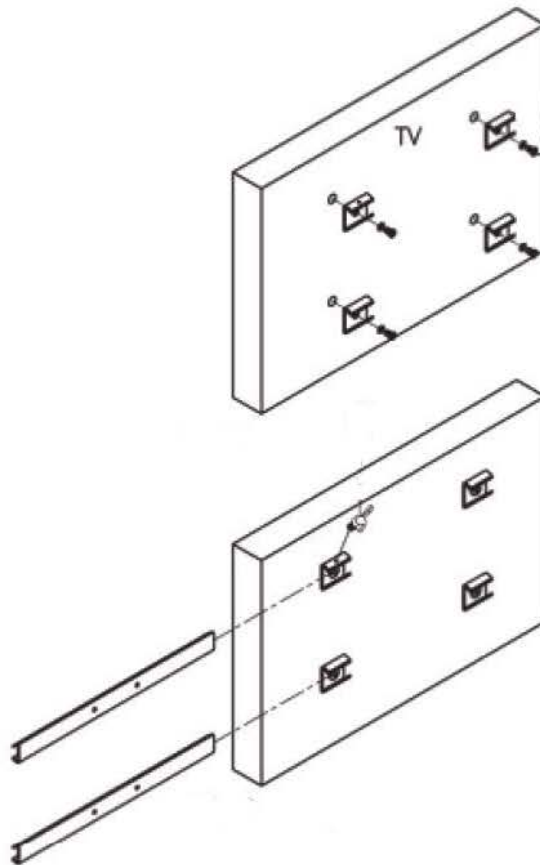
## **Introduction**

- The TV Lift system is specifically designed for easy installation into the ceiling,/cabinetry/AV rooms/meeting rooms, or any type of application where automatic lifting of equipment is required. The Remote Control works on radio frequency so no line of sight is required for the remote
- The Lift Column, model FA-UTVL-200-XX" is a Track Actuator type of lift designed to attach any type of flat panel TV and a bracket on the bottom to attach a piece of Drywall or wood panel if lifting from the ceiling.
- NOTE due to the design of the bracket this lift should be installed to lift the TV up from above and not push the TV up from below. The bracket is designed to hang down from the Actuator and not the other way around.
- The installation and set up of the system is extremely easy. Only 2 brackets are used to attach the lifting column into your Attic space above the ceiling and. The electrical connections between all the main parts like The actuator, Control Box, Switch Box and RF receiver are plug types, which promote easy installation.
- Each TV Lift system is equipped with an RF (Radio Frequency) remote control, for simple operation. Check batteries if the unit stops working.
- The control box is CE and UL approved that guarantees the compliance of all the necessary safety requirements.
- The accessories used to attach the LCD or Plasma TV to the lifting column are very simple and easily adaptable so that most LCD, LED & Plasma TVs can be used with this TV Lift system.

### **TV Bracket Installation Instructions:**

All Flat panel TV's come with 4 mounting holes on the back of the TV, these holes are specific to each TV manufacturer and your TV will of come with 4 screws either already installed in the TV, or in a separate bag for later use. These 4 holes will be in a symmetrical pattern on the back of the TV, and your TV instructions will clearly identify those holes also if you are unsure.

Use those 4 screws to screw on the 4 small TV brackets (4) as shown below. The holes in the brackets have been made on the larger side to accommodate all TV sizes, if your screws are small for the holes then you should use washers

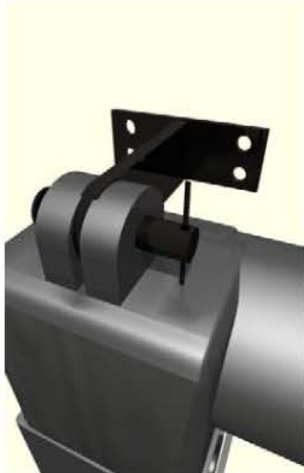


The 4 TV brackets (4) should line up so that the 2 long arms (5) slide through each of the brackets (as above). There should be 2 sets of arms you can select from them which are the correct length for your TV size, larger TV's would require the longer arms, just ensure that the arms fit at least through both brackets to fully support the TV.

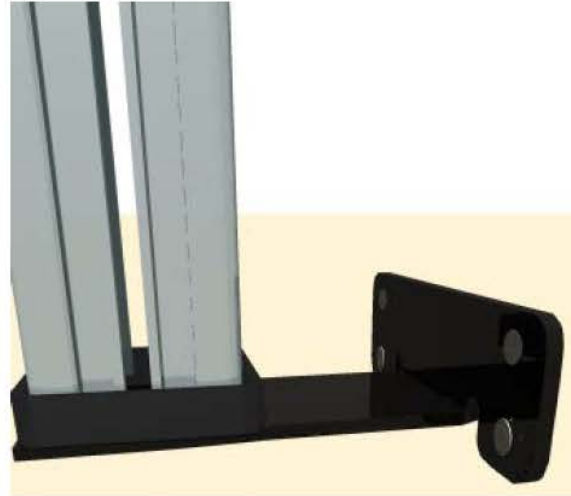
Take the 2 long arms (5) out after you have lined up the 4 TV brackets (4), these long arms will need mounting onto the TV bracket first.

## Installing the Actuator

The actuator comes with 1 mounting bracket already installed at one end of the actuator (bottom end) (6), for the top end (motor) end use the "T" shaped bracket that came in the box (1). There should also be a cross pin that attaches the Actuator to this "T" bracket and a cotter pin to stop the pin from falling out. (see picture below left)



Motor end (1)



Bottom End (7)

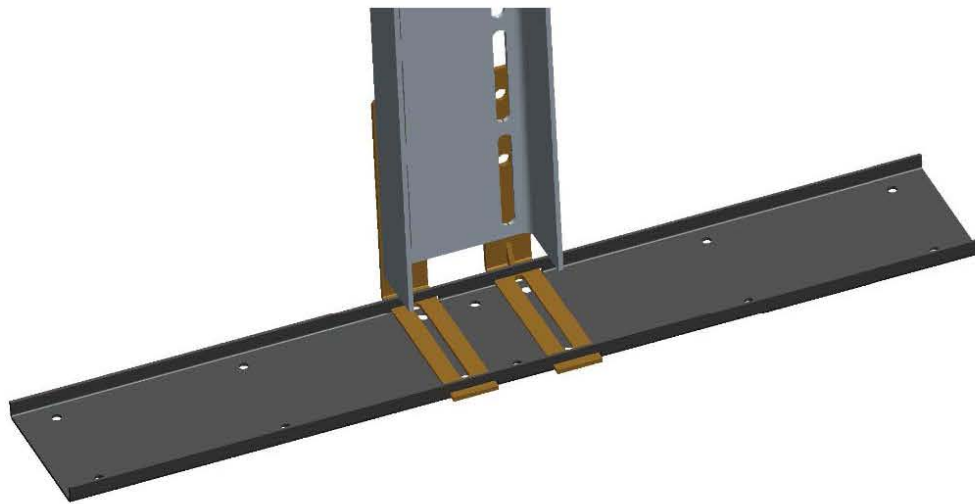
First mount the large long main Black bracket (2) to the actuator (3)(shown below without screws installed) This main long black Bracket (2) is what you will attach the TV and drywall brackets to. There are 3 screw holes on each side of the bracket to attach this, don't over-tighten these screws, the screws should be in the Box.

You will notice the other end of the Bracket is free to hang loose at the bottom of the actuator. This is fine as and some flex in the bracket allows the TV to tilt down slightly when the TV pops out of the ceiling.



Once the main bracket (2) is installed onto the actuator, when its time to attach everything else, you will need to plug in the actuator and extend it to get access to the back of the bracket.

Next mount the Actuator in the attic or wherever your installing the entire system, ensure the position of the actuator is such that the drywall bracket will fit in place, along with the TV and both clear the opening that you have already cut out for the TV lift, the drywall bracket (7) is adjustable so the position is not critical. Ensure the Actuator is installed at 90degrees though so that the drywall fits flush with your ceiling, alternatively you will need to bend the drywall bracket to make it fit flush, if your installing the TV lift at a slight angle, we recommend no more than +/-5 degrees though.



### Drywall Bracket (7)

The final adjustment of the Drywall panel can be adjusted such that when the entire system is installed and working with the TV installed that the drywall or panel can be made to fit flush with the ceiling, this is the last step

We recommend installing the drywall bracket (7) on main long bracket (2) and then that whole actuator assembly in the ceiling before screwing into place in the ceiling. This is to ensure everything is positioned properly before attaching the TV and Drywall etc.

Once the Lift is installed into the ceiling it is time to attach the TV to the main long bracket.

Plug in the Actuator to the controller and extend the actuator so that you have access to the back of the main bracket (2) for attaching the TV (5) and drywall bracket (7).

Ensure the Drywall bracket is installed as above, note that the “L” Brackets that attach the drywall bracket to the main bracket is adjustable this is to allow final adjustment of that panel to ensure it is flush with the ceiling.

The drywall bracket (7) is 24” long and 4” wide. Its is designed to be smaller than the drywall or panel part that you will attach to the bracket

Now the actuator is extended you can install the TV, The screws will be installed from behind the main bracket (2) (see below) These screws will be in the box provided, ensure they are tight because all the TV weight is transferred to these 4 screws. Measure the distance between the top and bottom bracket on the back of your TV and attach the long arm brackets on the main long bracket with the same distance apart. The screws can be kept loose so that you can slide on the TV from the side and then tighten those 4 screws from behind to securely keep the TV in place.



**Shown without the TV installed for clarity purposes.**

Now press the up button on the remote to lift the main TV into the ceiling.

Now you should have the Lift and TV all installed with only the Drywall/panel left. First run the lift up and down to ensure the TV comes out all the way as you expect and make adjustments to the drywall bracket ready for the final assembly of the drywall

You only need to press the remote button once to make it move all the way in and out. To stop it in either direction during travel just press one of the buttons on the remote and it will stop



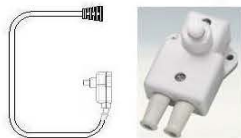
An optional limit switch is enclosed, this is provided to stop the Actuator retracting into the ceiling further than desired.

There is a short youtube video on how this works at this address

[http://www.firgelliauto.com/product\\_info.php?cPath=100&products\\_id=23](http://www.firgelliauto.com/product_info.php?cPath=100&products_id=23)

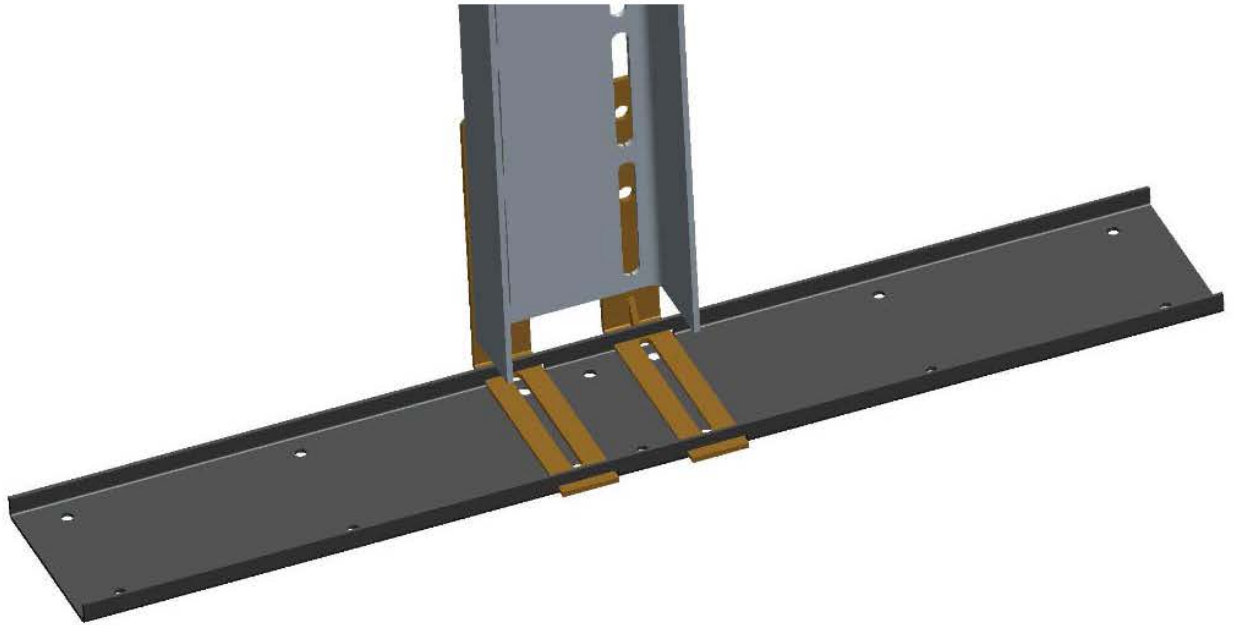
How it works:

Lets say you have the 40" stroke TV lift but your TV is only 30" tall. What will happen is that the TV lift will move the full 40" in which case it will reveal the full TV plus an extra 10". If you don't want that then you can install the external micro switch to stop the actuator retracting into the ceiling for the last 10". To do this you may need to make a bracket to screw the limit switch to, when the actuator retracts it will hit the push button on the limit switch and automatically stop the actuator. The switch can press against the top of the TV which will be easier to install in the Attic space.



The external micro switch is connected to the plug located on the controller.

Lastly it is time to make final adjustments to the drywall bracket and screw in the drywall from above. We recommend retract the actuator all the way into the ceiling, have 1 person hold the drywall piece in place from below in the ceiling and then have someone else in the ceiling screw the drywall into the bracket to ensure you have the correct position



**Shown without the drywall or panel installed.**