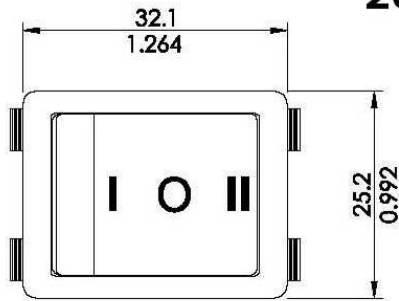
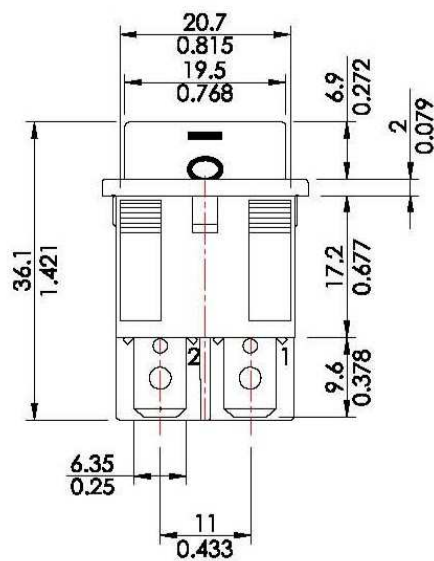
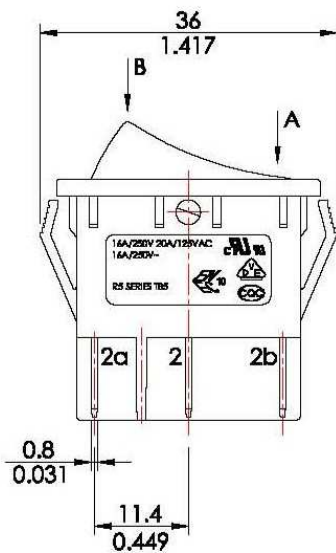
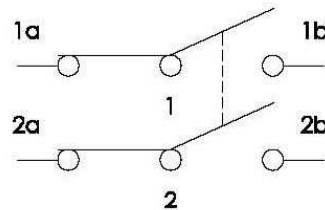


Firgelli Automations MAN-RS / MAN-RS2 Rocker Switch Specifications 2008



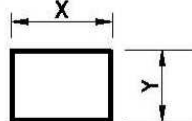
CIRCUIT DPDT



POLE FUNCTION	OPTIONS OF FUNCTION		
	A	CENTER	B
DPDT	1-1a 2-2a	NONE	1-1b 2-2b

Dimension units: $\frac{\text{mm}}{\text{inch}}$

PANEL CUT-OUT	
Y	X
22 mm [0.87"]	30 mm [1.18"]



SPECIFICATION

Rating: 16A 250V AC & 20A 125V AC & 16A 250V AC(ENEC).

Contact resistance: <20mΩ (initial).

Insulation resistance: >1,000MΩ (500V DC between open contacts).

Dielectric strength: >1,500V 1 minute.

Minimum load: 300mA 10V DC. (reference only)

Mechanical life: >30,000 Cycles.

Electrical life: >10,000 Cycles.

When proceed with soldering, please pay attention to following:

For manual soldering method, must use 30W soldering iron and complete the operation within 3 seconds, under 350 °C.

For dip soldering method, must complete the operation within 3 seconds with the temperature of 280 °C.